



# ) EYE-LCD4200-W

eyevis LCD Series

## ) PRODUCT DESCRIPTION

### eyevis' new 42" Full-HD LCD Monitor with optical enhanced treatment

The new EYE-LCD4200-W narrow bezel display represents the cutting-edge of direct-view LCD technology. It combines ultra-high resolution and unparalleled image quality with configurable I/O in a large format for a wide range of digital signage and control-room application.

With eyevis' unique optical enhanced treatment, it not only provides clear viewability under strong ambient light, but also ensures added durability and strength in almost every ambient light condition.

Thanks to the slim design the displays are the ideal surface for the presentation of your image content.

## ) ADVANTAGES OF THE EYE-LCD4200-W

### ) Superior Resolution & High Brightness

Full-HD 1080p (1920 x 1080) & 700 nits (40% brighter than normal monitors)

### ) Ultra-Wide Viewing Angle

178 degree viewing angle

### ) IRFM™

Image Retention Free Modulator technology helps prevent image retention

### ) Prolonged Life

50,000 hours of viewing time to half of its original brightness

### ) Configurable I/O

Standard HDMI and VGA input (additional connectivity with Advanced Input Board version)

### ) Durable and Professional Design

All metal structure, Sleek & low-key look that makes the content stand out

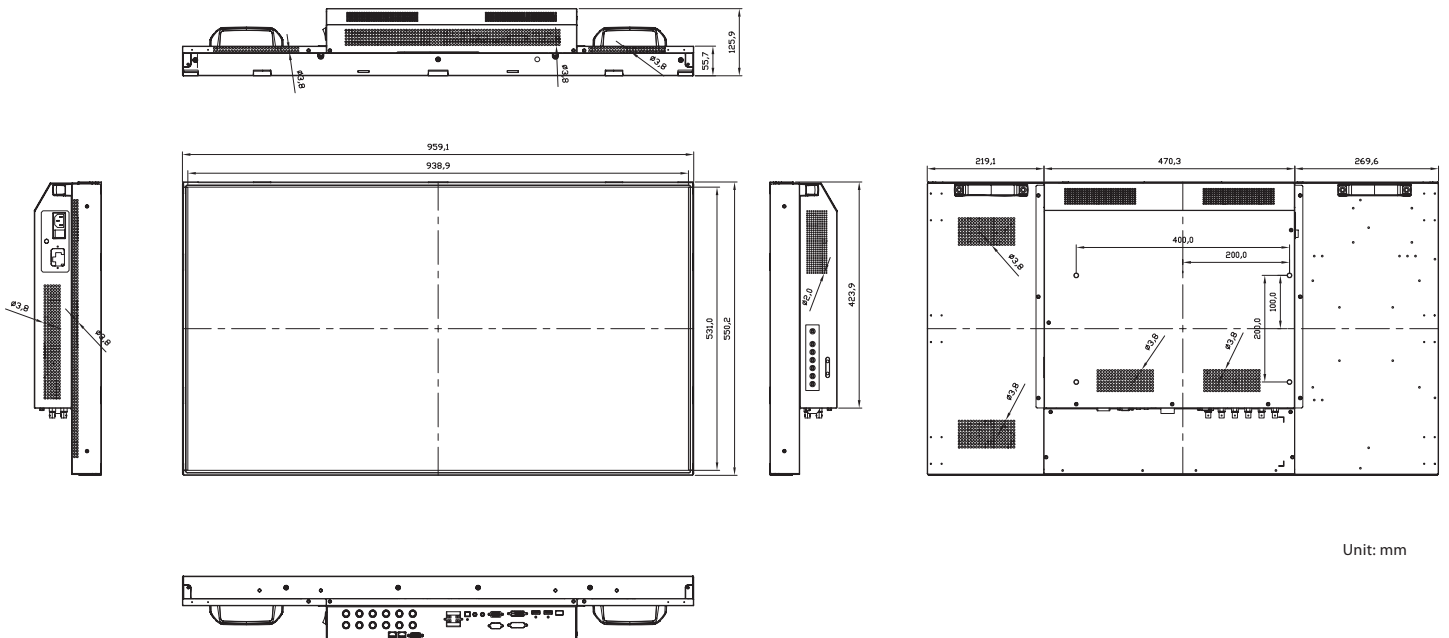
### ) Wide Compatibility

Extensively tested with a broad variety of analog/digital PC and video modes.

### ) IPC Mounting Space on Back Panel

8.7 x 8.7 x 2.3 inch mounting space reserved for IPC / Player

## ) DIMENSIONS



Unit: mm

# ) EYE-LCD4200-W

## ) TECHNICAL SPECIFICATIONS

### ) LCD Panel

Brightness	700 cd/m <sup>2</sup>
Contrast Ratio	3500:1
Viewing Angle	H:178° / V:178°
Response Time	8 ms (GTG) 8 ms (Tr) / 4.5 ms (GTG)
Supported Colors	16.7M colors
Display Resolution	1920 x 1080 (16:9)
Display Frame Rate	60Hz

### ) Signal Compatibility / Connectivity

Horizontal / Vertical Frequency	30 ~ 80 KHz / 56 ~ 75 Hz
Input Resolution	1920 x 1080 @ 60Hz (Analog) 1920 x 1080 @ 60Hz (Digital)
Connector	HDMI 1.3c x 2 / VGA
Communication Port (Transport Protocol)	D-Sub 9 Pin In, RJ45 In/Out (RS232C In, RS-485 In/Out)

### ) Mechanical

Dimensions	959.1 x 550.2 x 125.9 mm / 37.76" x 21.66" x 4.96 inch
Weight	Net: 26kg / 57.32 lbs
Wall / Arm Mount Type	400 mm x 200 mm VESA
Fanless Design	Yes
Bezel	10 mm

### ) OSD Functions

OSD Control Function	RS232C, Push Button, IR Remote Controller
OSD Language Function	English, Chinese
OSD Lock	Yes
Multimedia Function	PIP, PBP (side by side) , Zoom
Source Auto Detect Function	Yes
Frameless Function	Yes

### ) Electrical

Power Supply	AC in: AC 100V ~ 240V (50/60 Hz)
Power Output	AC out: 100V ~ 240V (2A)

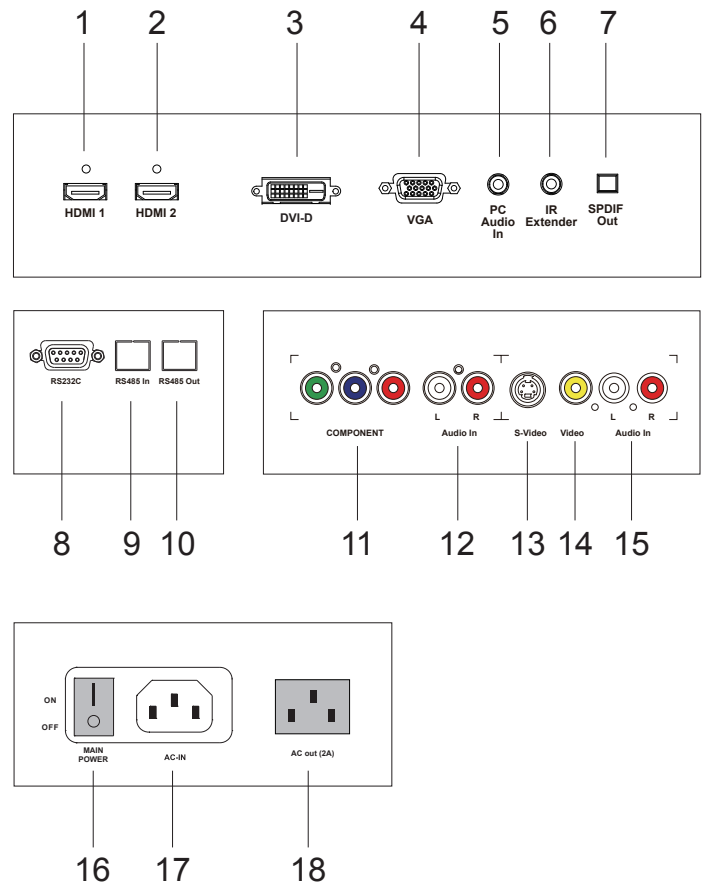
### ) Environmental

Operating Temperature	0 °C ~ 35 °C, 85% RH
Storage Temperature	-20 °C ~ 60 °C, 85% RH

### ) Options

Installation	Metal stands, different wall mounts and stands available on request
PC	Integrated PC + Cover Plate
Inputs/Outputs	Advanced Input Board version for additional connectivity

## ) INPUTS & OUTPUTS



1. HDMI 1
2. HDMI 2
3. DVI-D\*
4. VGA
5. PC Audio In\*
6. IR Extender\*
7. S-PDIF Out
8. RS232C
9. RS485 In
10. RS485 Out
11. Component\*
12. Audio In (Component)\*
13. S-Video\*
14. Video\*
15. Audio In (S-Video/Video)\*
16. Power Switch
17. AC In
18. AC Out (2A)

\*only available with Advanced Input Board version.



eyevis UK Ltd

PO Box 482 • Burnley  
Lancashire • BB11 9BX • United Kingdom  
Tel: +44(0)1282 606525 • Fax: +44(0)1282 697703  
www.eyevis.co.uk • enquiry@eyevis.co.uk  
As at: April 2011 • Subject to change!  
Copyright © 2010 eyevis GmbH. All Rights Reserved.